



6464 S. QUEBEC ST.
BUILDING 5 SUITE 200
CENTENNIAL, CO 80111
ARROWBARCHITECTURE.COM

ISSUE:
HISTORIC PRESERVATION
05.27.2022

REVISION:

NEXT DOOR BAR
RENOVATION
217 FOURTH ST,
CASTLE ROCK, CO 80104



PROJ. NO.: 2102

SHEET TITLE:
SITE PLAN

SCALE: VARIES

A1.1

EXTERIOR FINISH LIST

NOTE: BEFORE ORDERING SAMPLES ALL FINISHES ARE TO BE CONFIRMED WITH CLIENT.

PAINT

NOTE: VERIFY ALL PAINT COLORS IN FIELD WITH MOCK UP. CONFIRM ALL COLORS WITH CLIENT AND ARCHITECT PRIOR TO PURCHASE OF SAMPLES FOR MOCK UP.

- XPT1 - BM 1018 SHABBY CHIC
- XPT2 - BM AF-270 TEA ROOM

STONE

- XS1 - LYONS SANDSTONE - CANYONWOOD RHYOLITE

WOOD

NOTE: VERIFY STAIN COLOR IN FIELD WITH MOCK UP.
XWD1 - WOOD (PREFERRED DOUGLAS FIR) STAINED WITH MINWAX WOOD FINISH MESQUITE MW 461 OR SIM.

SITE GENERAL NOTES

1. DRAWING IS FOR REFERENCE AND COORDINATION ONLY AND DOES NOT CONSTITUTE A SURVEY.

KEYED NOTES

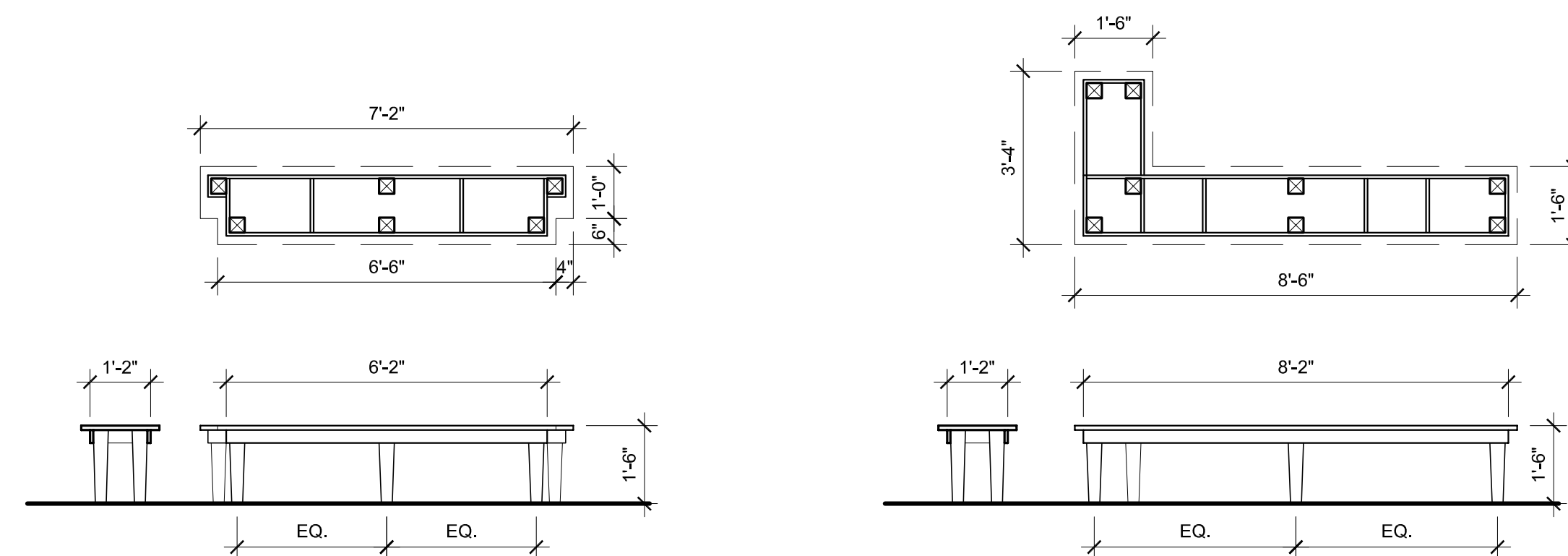
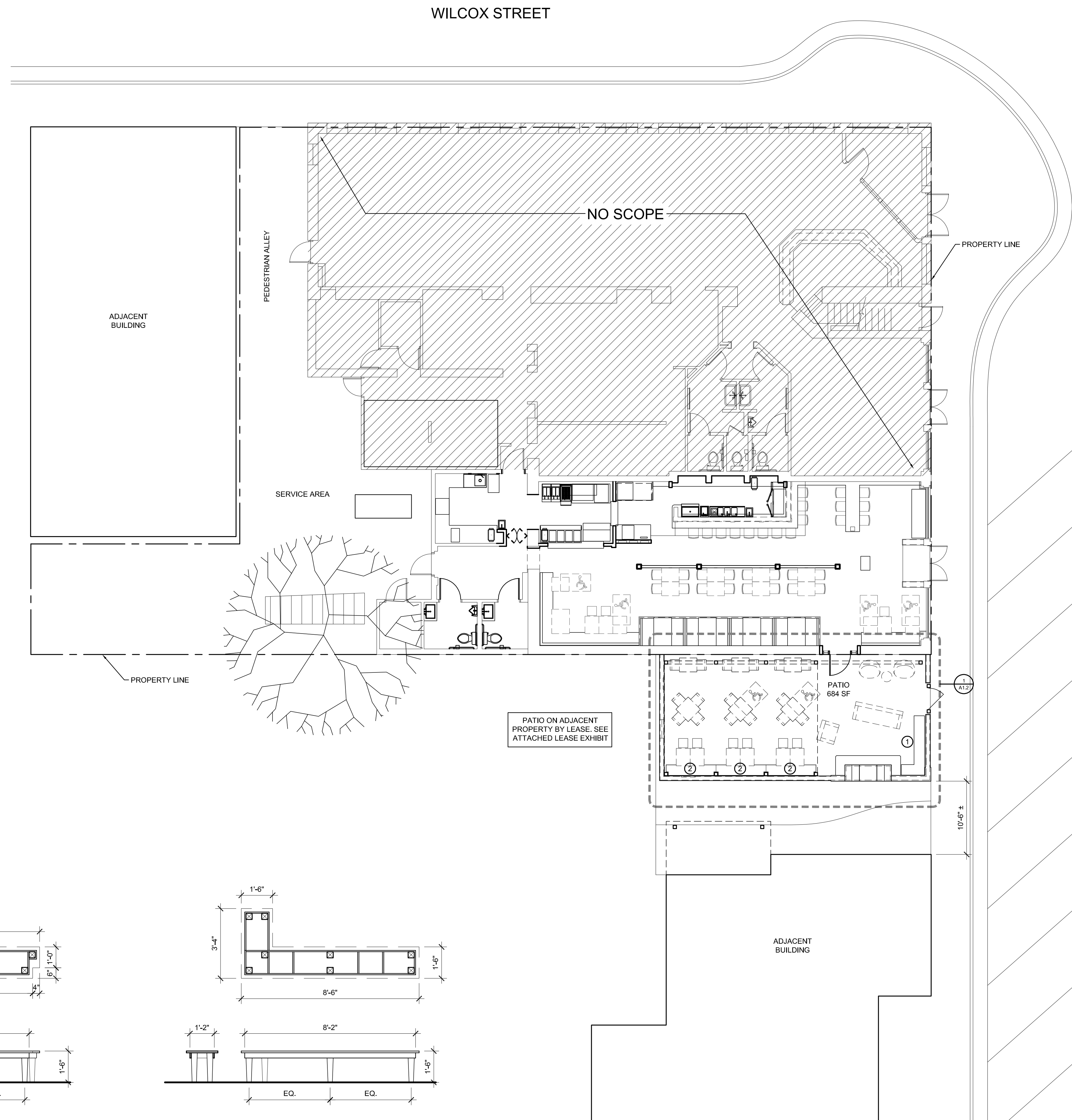
- ① SEE 2A1.1 FOR BENCH DETAILS.
- ② SEE 3A1.1 FOR BENCH DETAILS.

PARTITION TYPES

- EXISTING PARTITION TO REMAIN
- NEW BUILDING STANDARD PARTITION - REFER TO PARTITION TYPES FOR FURTHER INFORMATION. REFER TO SHEET A0.3 FOR INTERIOR PARTITION TYPES AND DESCRIPTIONS.

FLOOR PLAN LEGEND

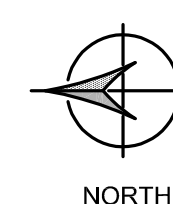
- EXISTING TO REMAIN - NOT IN CONTRACT



3 BENCH DETAILS
A1.1 SCALE: 3/8" = 1'-0"

2 BENCH DETAILS
A1.1 SCALE: 3/8" = 1'-0"

1 SITE PLAN
A1.1 SCALE: 1/8" = 1'-0"



EXTERIOR FINISH LIST

NOTE: BEFORE ORDERING SAMPLES ALL FINISHES ARE TO BE CONFIRMED WITH CLIENT.

PAINT

NOTE: VERIFY ALL PAINT COLORS IN FIELD WITH MOCK UP. CONFIRM ALL COLORS WITH CLIENT AND ARCHITECT PRIOR TO PURCHASE OF SAMPLES FOR MOCK UP.

- XPT1 - BM 1018 SHABBY CHIC
- XPT2 - BM AF-270 TEA ROOM

STONE

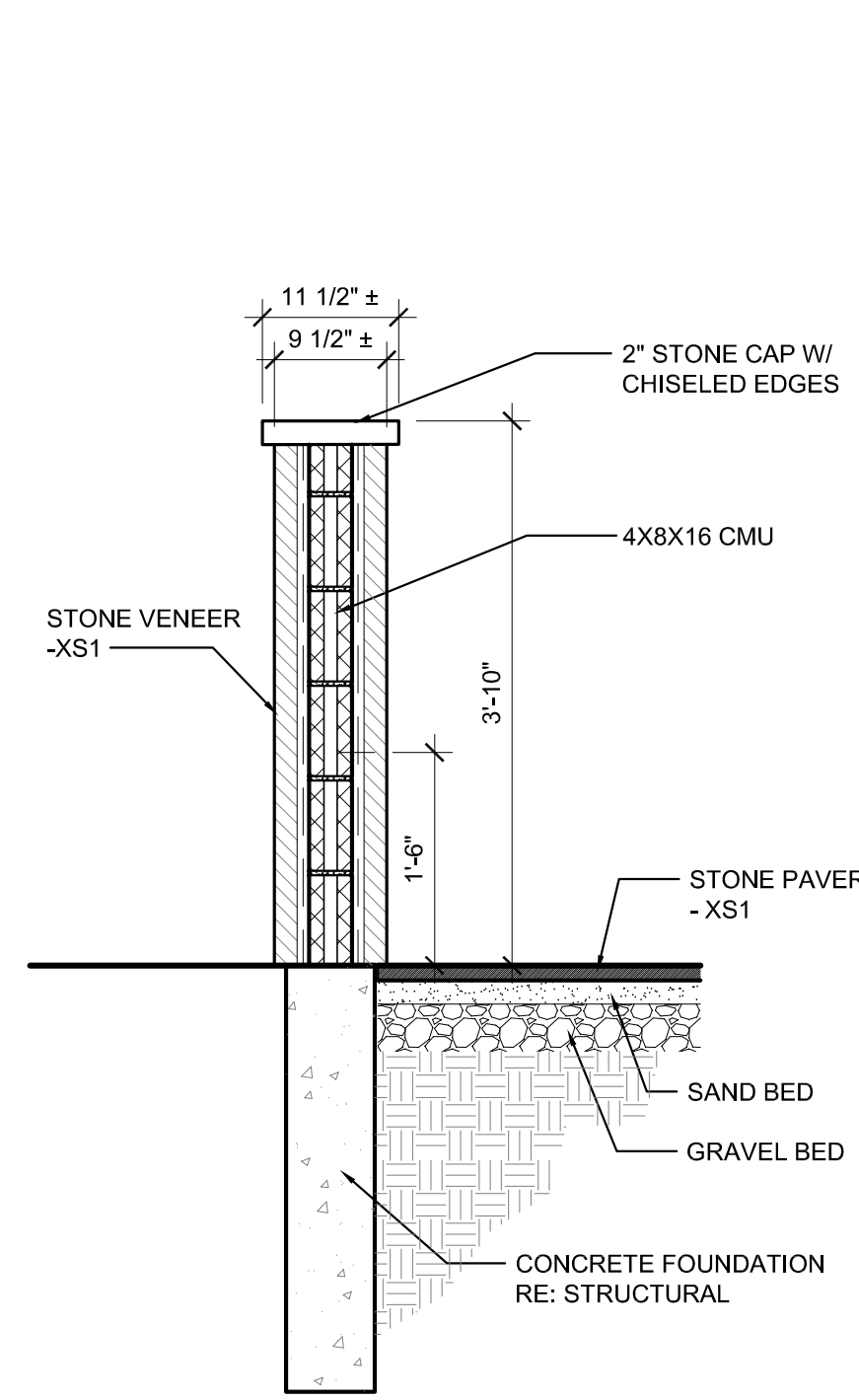
- XS1 - LYONS SANDSTONE - CANYONWOOD RHYOLITE

WOOD

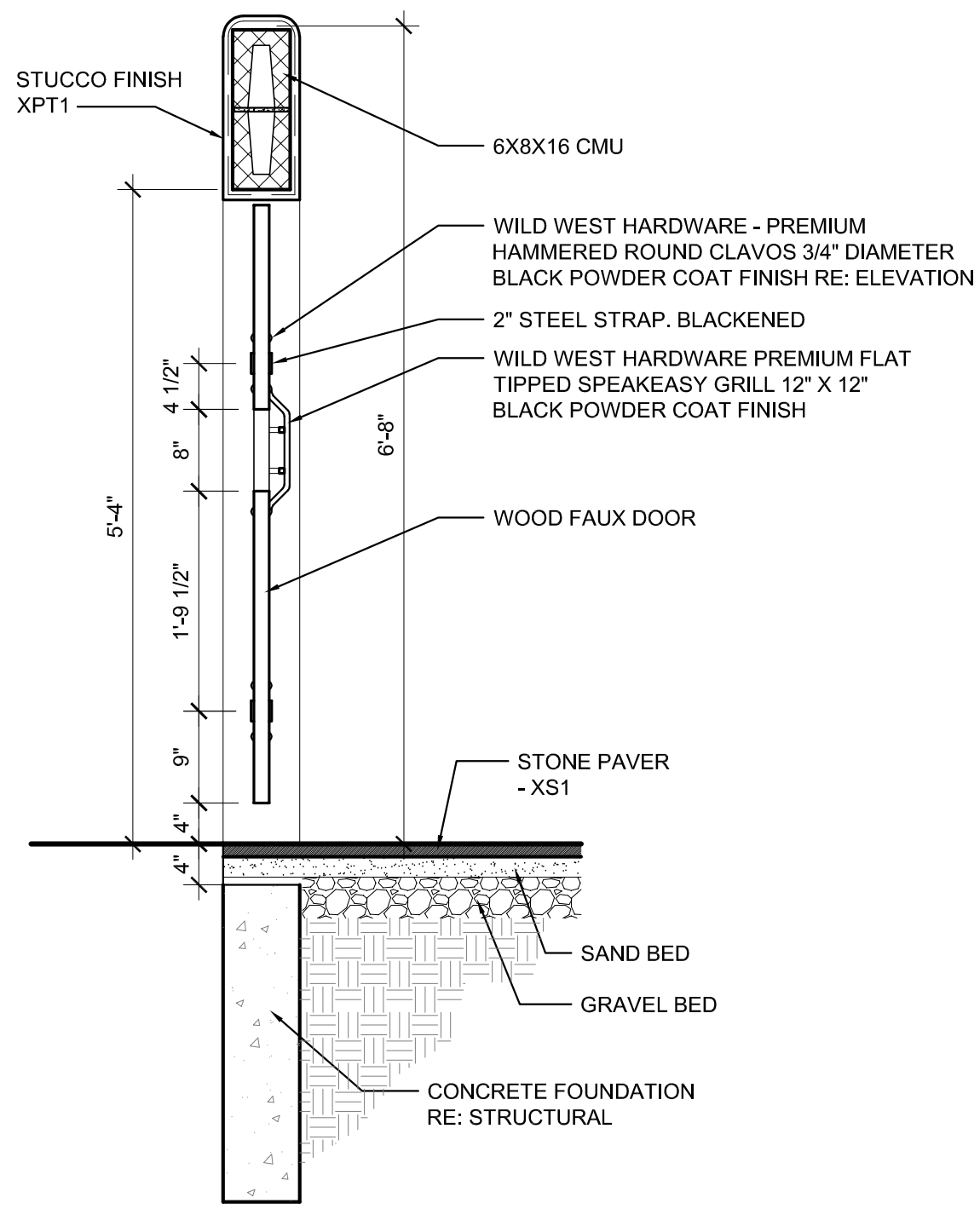
NOTE: VERIFY STAIN COLOR IN FIELD WITH MOCK UP.
XWD1 - WOOD (PREFERRED DOUGLAS FIR) STAINED WITH MINWAX WOOD FINISH MESQUITE MW 461 OR SIM.

PATIO ACCESSORY SCHEDULE

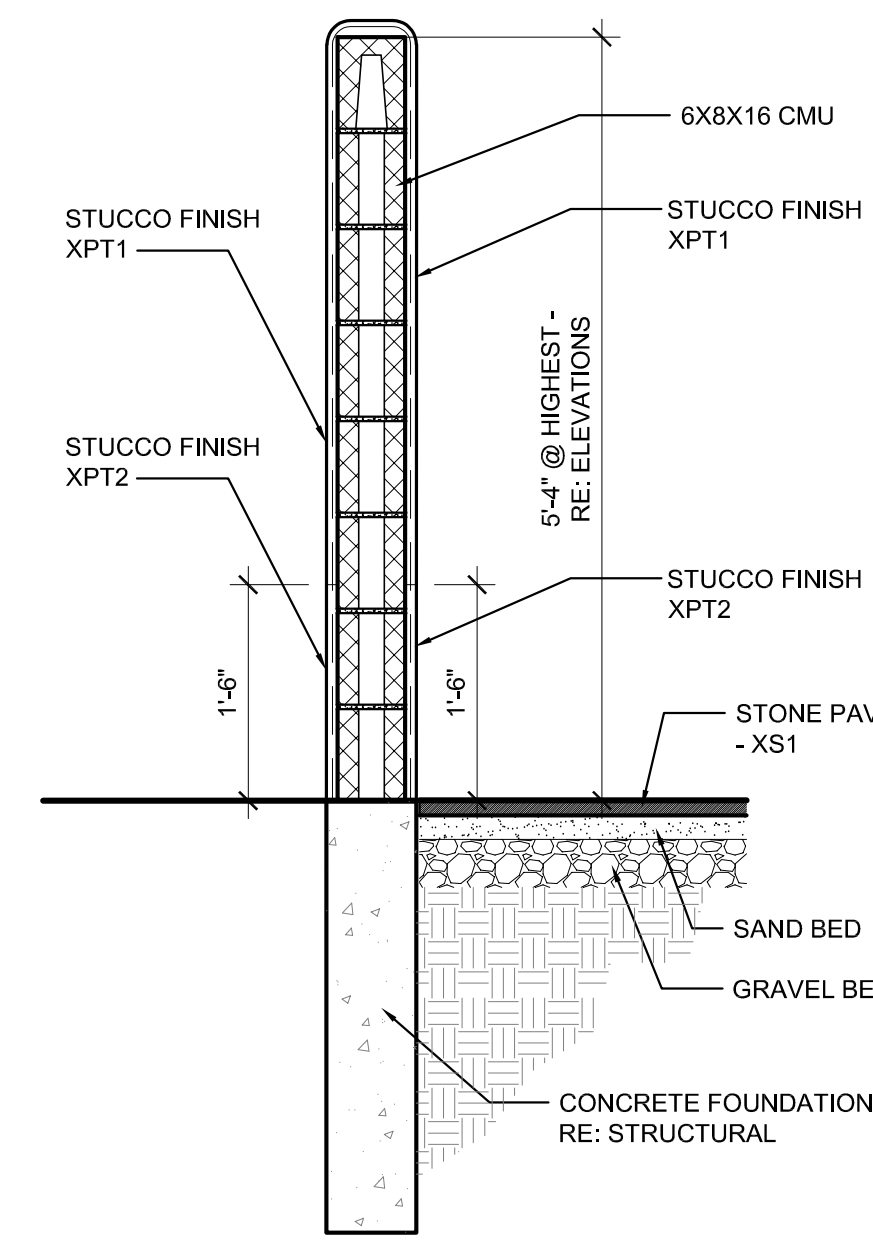
- 01 VAN DYKE'S RESTORERS - RESTORERS RUSTIC NEWPORT CORBEL 4"W - ROUGH SAWN FIR - 6'DX6'H
- 02 VAN DYKE'S RESTORERS - RESTORERS RUSTIC NEW BRIGHTON CORBEL 4"W - ROUGH SAWN FIR - 10'DX14'H



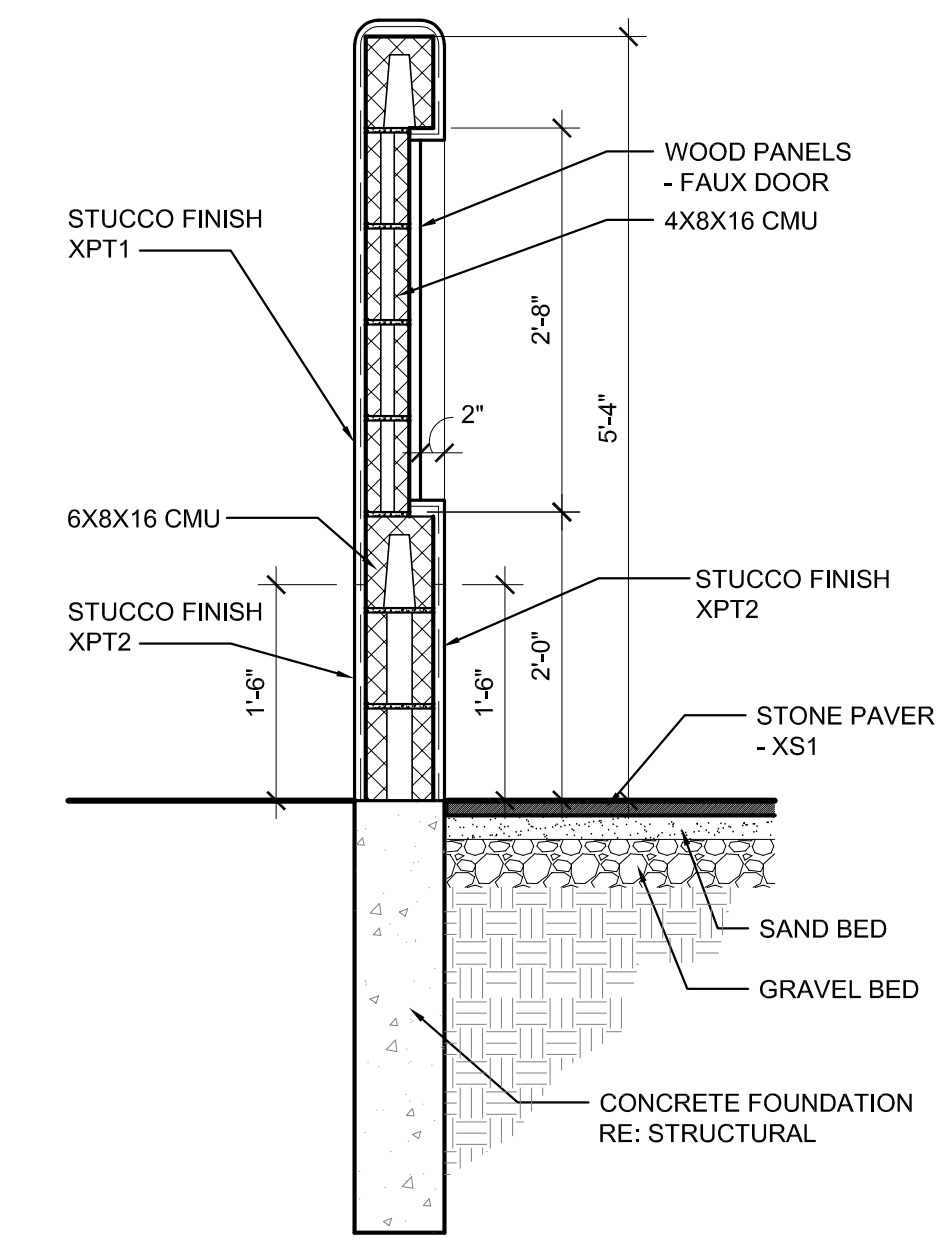
11 PATIO WALL SECTION
A1.3 SCALE: 3/4" = 1'-0"



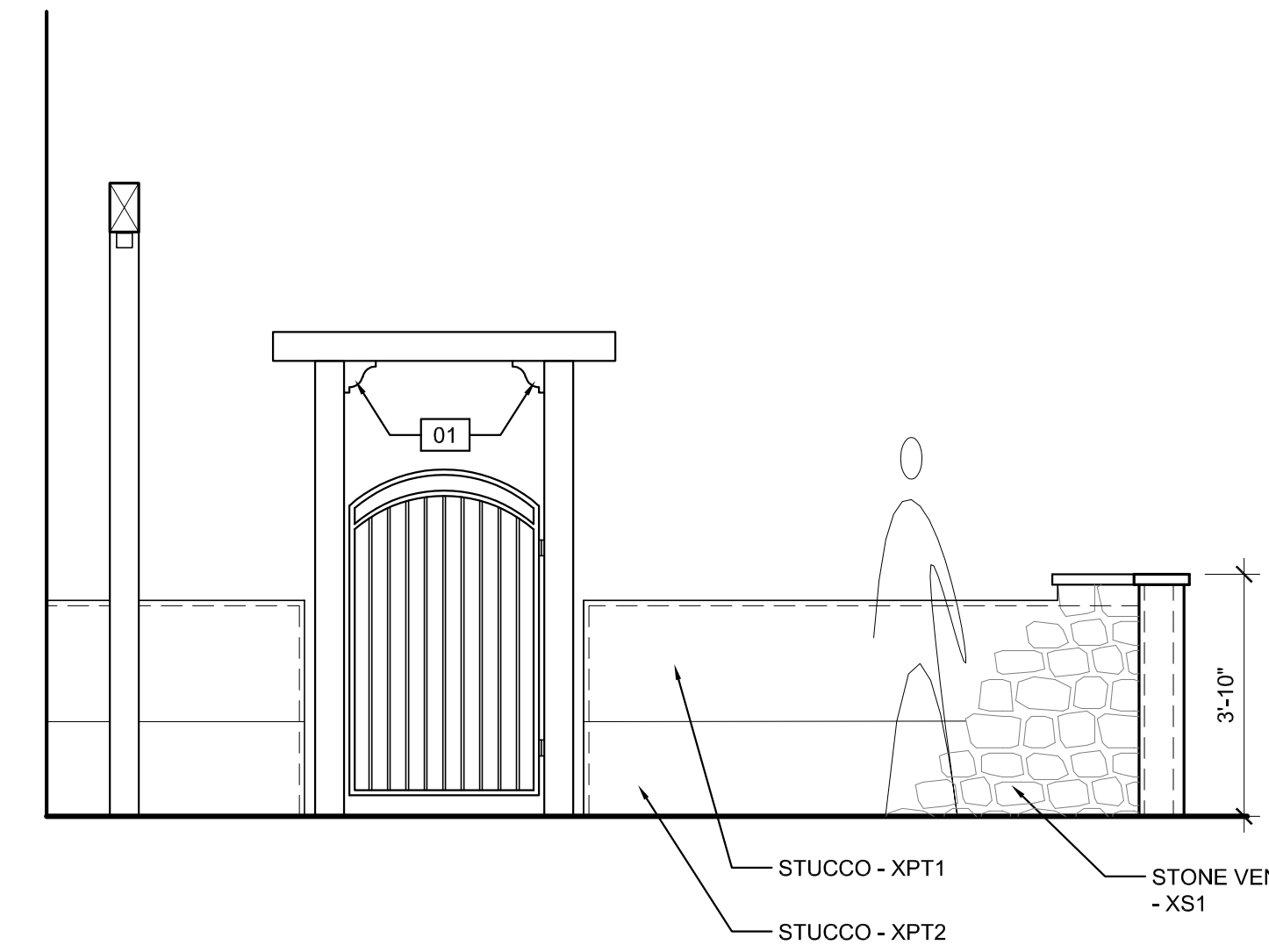
10 PATIO WALL SECTION
A1.3 SCALE: 3/4" = 1'-0"



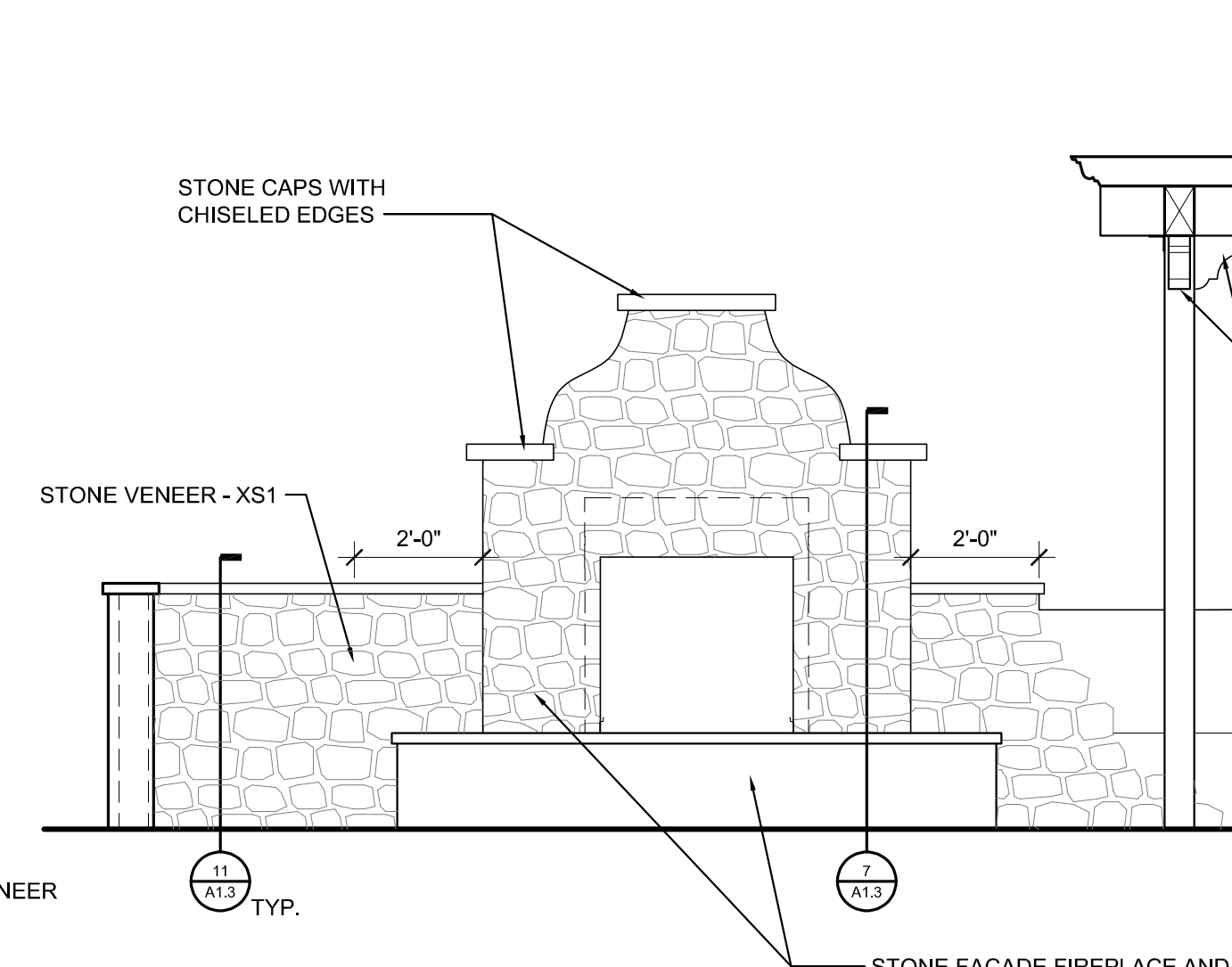
9 PATIO WALL SECTION
A1.3 SCALE: 3/4" = 1'-0"



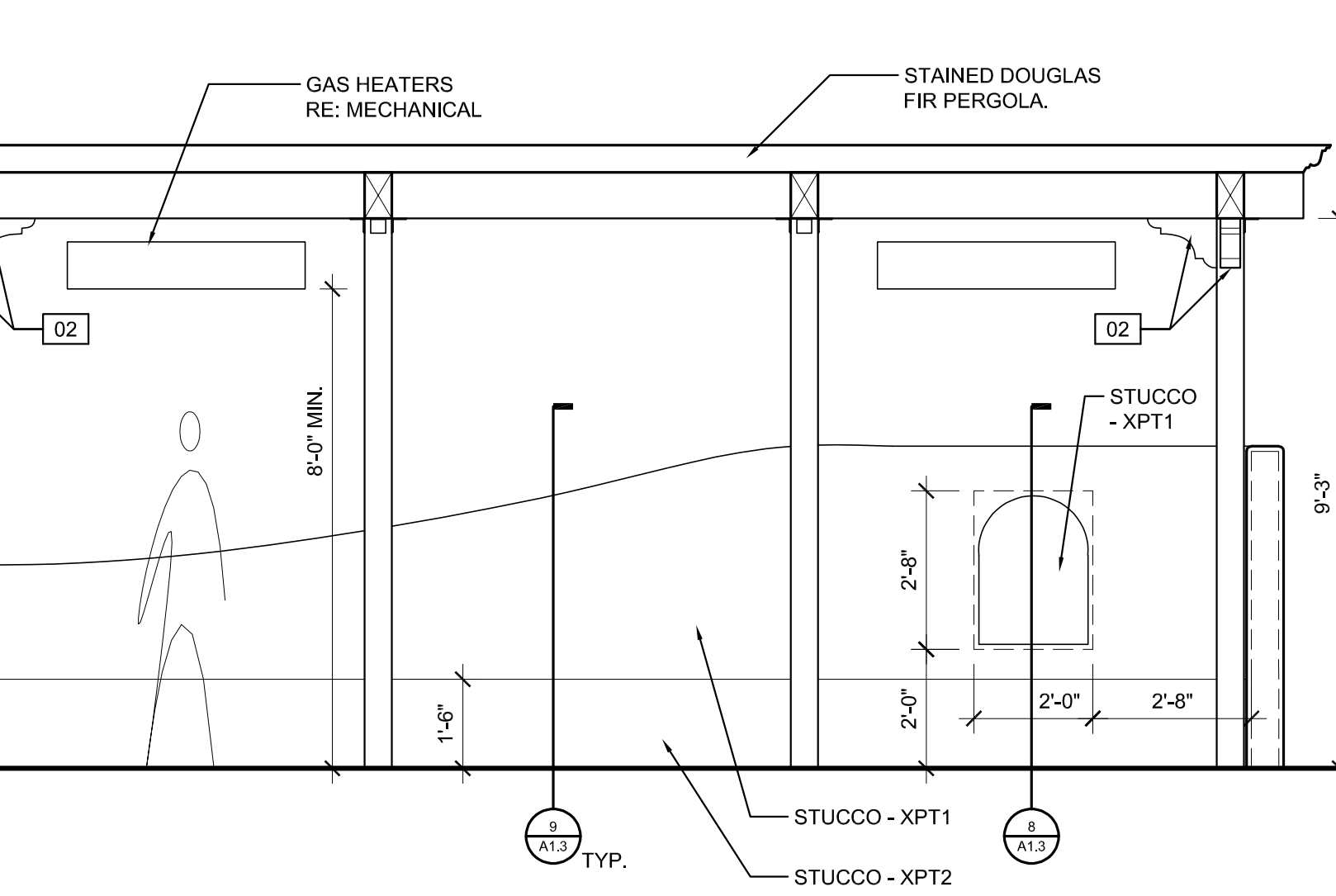
8 PATIO WALL SECTION
A1.3 SCALE: 3/4" = 1'-0"



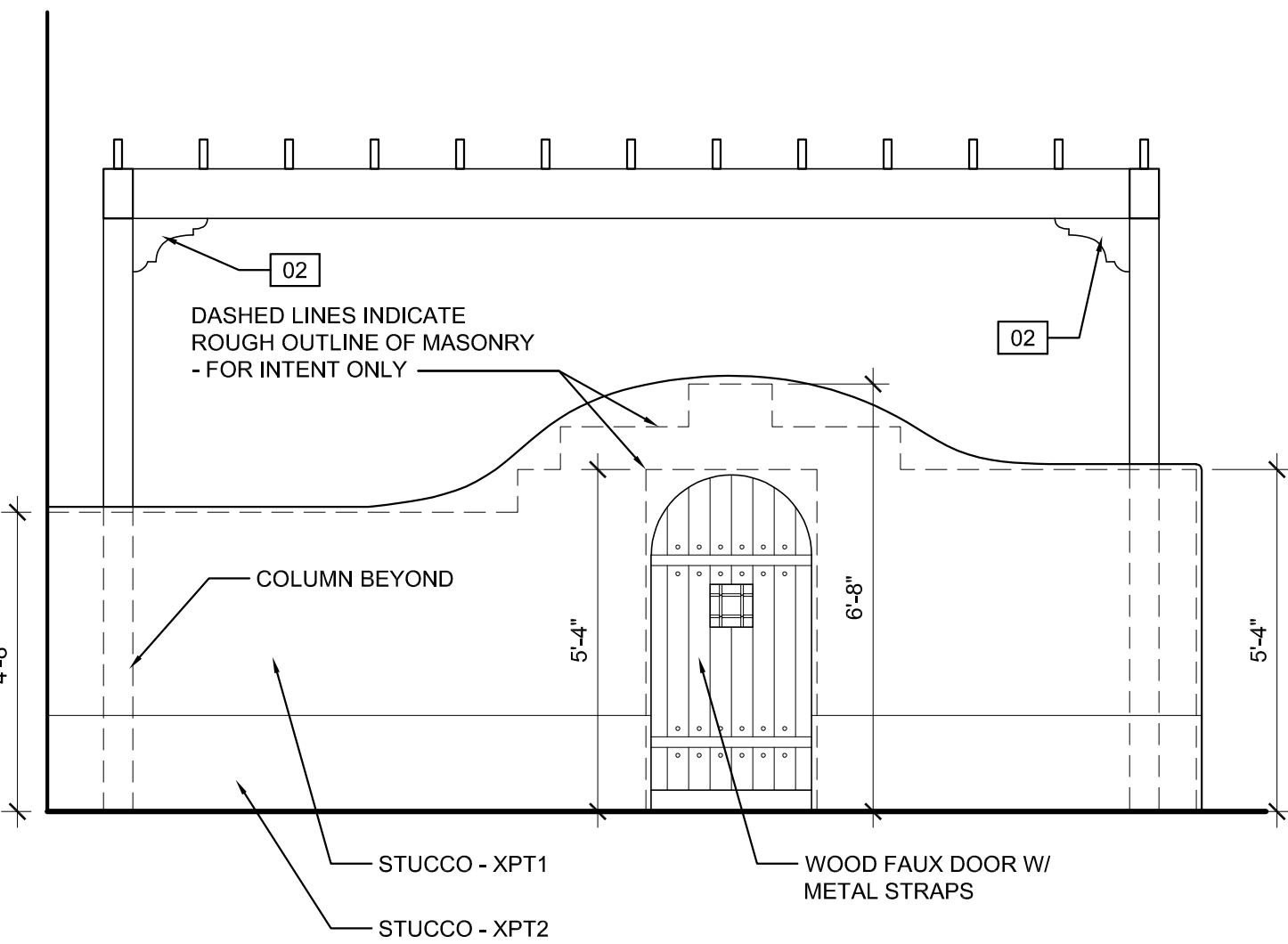
6 PATIO INNER ELEVATION
A1.3 SCALE: 3/8" = 1'-0" SOUTH WALL



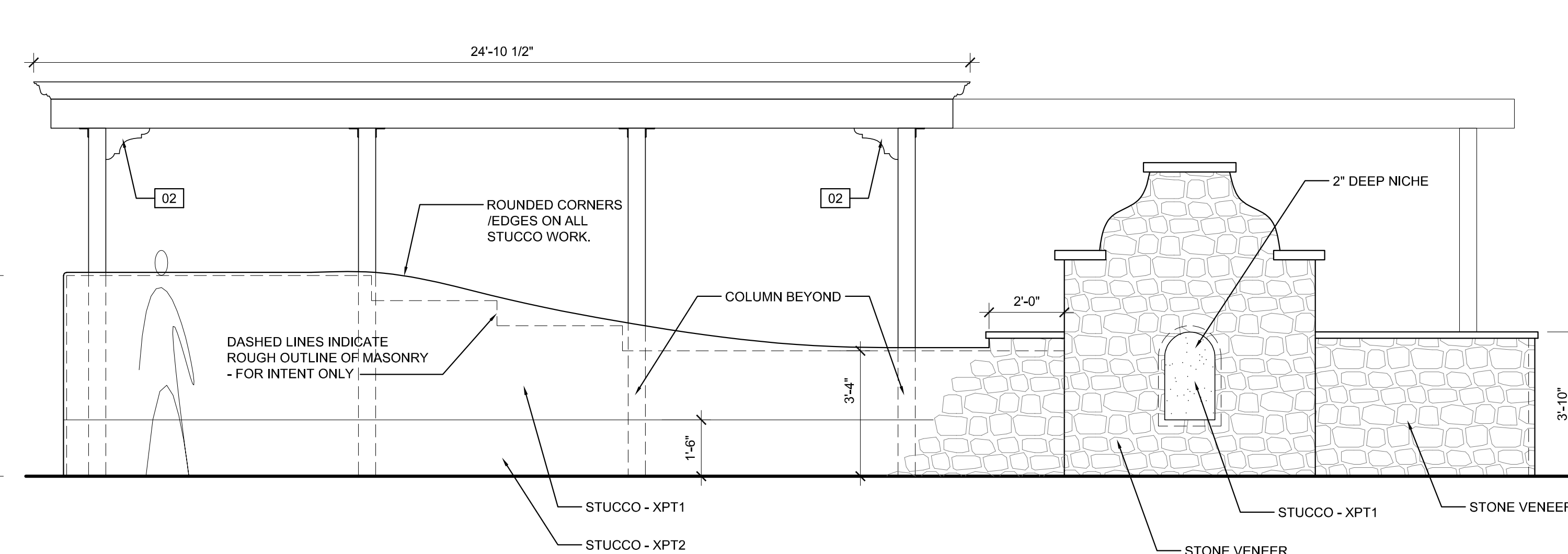
5 PATIO INNER ELEVATION
A1.3 SCALE: 3/8" = 1'-0" WEST WALL



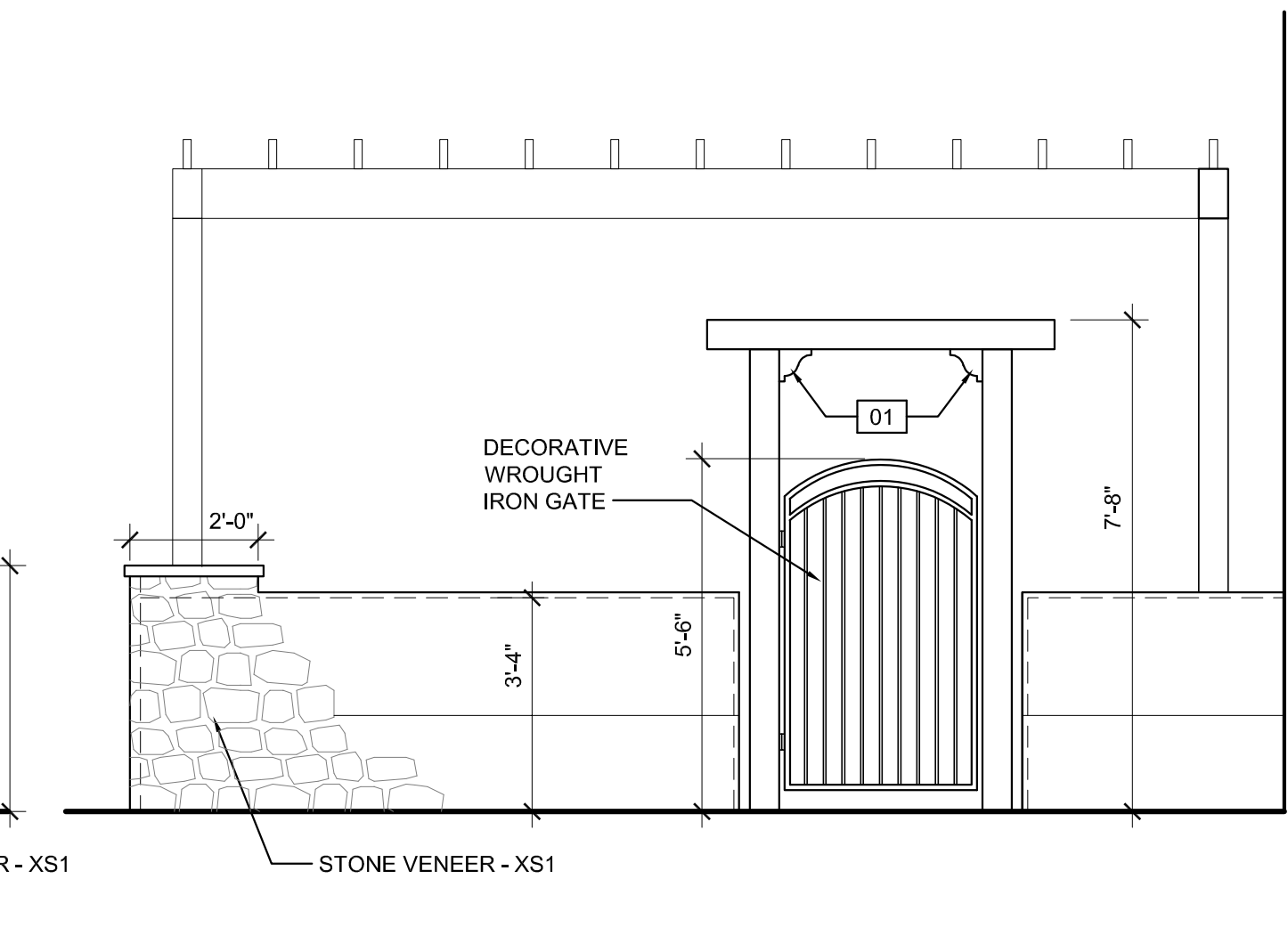
4 PATIO INNER ELEVATION
A1.3 SCALE: 3/8" = 1'-0" NORTH WALL



3 PATIO OUTER ELEVATION
A1.3 SCALE: 3/8" = 1'-0" NORTH WALL



2 PATIO OUTER ELEVATION
A1.3 SCALE: 3/8" = 1'-0" WEST WALL



1 PATIO OUTER ELEVATION
A1.3 SCALE: 3/8" = 1'-0" SOUTH WALL

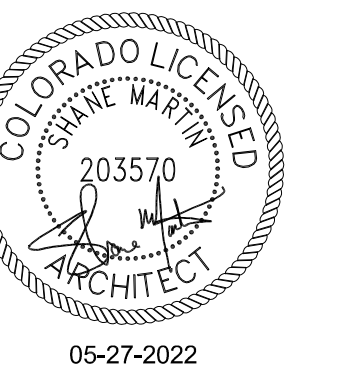


ARROW B ARCHITECTURE
6464 S. QUEBEC ST.
BUILDING 5 SUITE 200
CENTENNIAL, CO 80111
ARROWBARCHITECTURE.COM

ISSUE:
HISTORIC PRESERVATION
05.27.2022

REVISION:
VE
06.01.2022

NEXT DOOR BAR
RENOVATION
217 FOURTH ST,
CASTLE ROCK, CO 80104



PROJ. NO.: 2102

SHEET TITLE:
SITE DETAILS

SCALE: VARIES

A1.3

EXTERIOR FINISH LIST

NOTE: BEFORE ORDERING SAMPLES ALL FINISHES ARE TO BE CONFIRMED WITH CLIENT.

PAINT

NOTE: VERIFY ALL PAINT COLORS IN FIELD WITH MOCK UP. CONFIRM ALL COLORS WITH CLIENT AND ARCHITECT PRIOR TO PURCHASE OF SAMPLES FOR MOCK UP.

- XPT1 - BM 1018 SHABBY CHIC
- XPT2 - BM AF-270 TEA ROOM

STONE

- XS1 - LYONS SANDSTONE - CANYONWOOD RHYOLITE

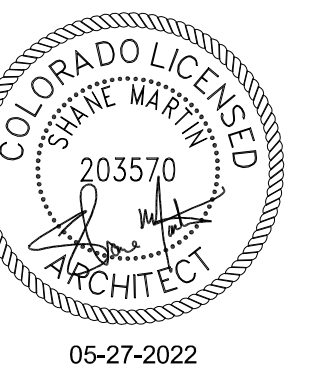
WOOD

NOTE: VERIFY STAIN COLOR IN FIELD WITH MOCK UP.
XWD1 - WOOD (PREFERRED DOUGLAS FIR) STAINED WITH MINWAX WOOD FINISH MESQUITE MW 461 OR SIM.

ISSUE:
HISTORIC PRESERVATION
05.27.2022

REVISION:
VE
06.01.2022

NEXT DOOR BAR
RENOVATION
217 FOURTH ST,
CASTLE ROCK, CO 80104

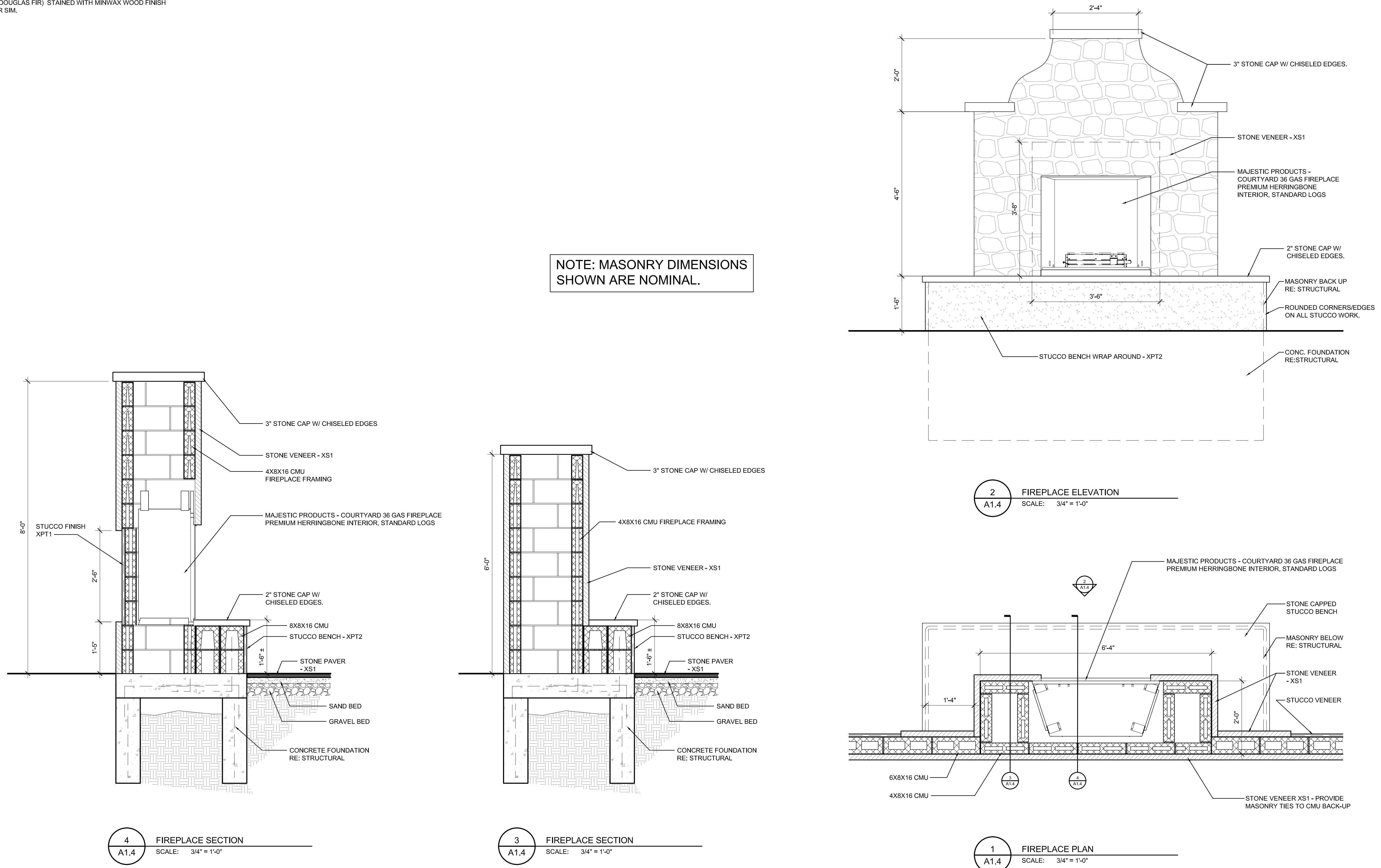


PROJ. NO.: 2102

SHEET TITLE:
FIREPLACE
DETAILS

SCALE: VARIES

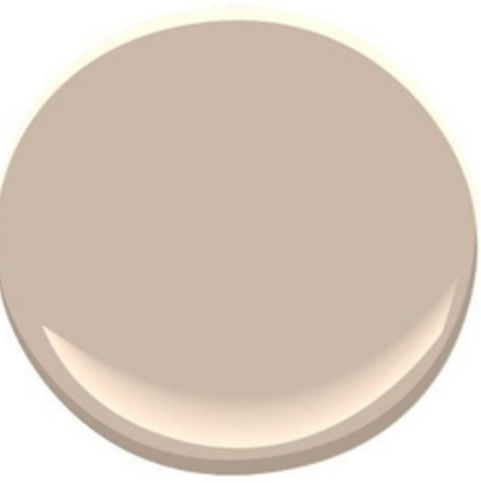
A1.4



NOTE: MASONRY DIMENSIONS SHOWN ARE NOMINAL.



EXISTING STONE USED
AS REFERENCE IN
SELECTING COLORS



BENJAMIN MOORE
1018 SHABBY CHIC



BENJAMIN MOORE
AF-270 TEA ROOM



LYONS SANDSTONE
CANYONWOOD RHYOLITE
STONE VENEER



WOOD STAIN - MINWAX
MESQUITE





